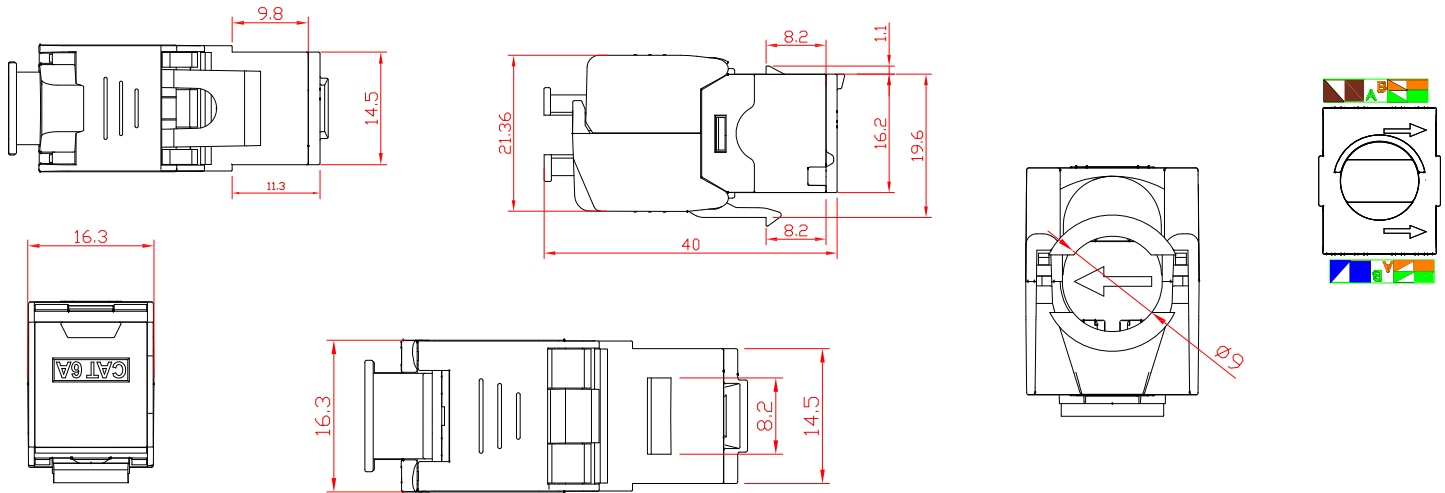


CAT6A Tool Free Keystone Jack Shielded Type

Model: LPKJHC6A



Specifications:

Electrical:

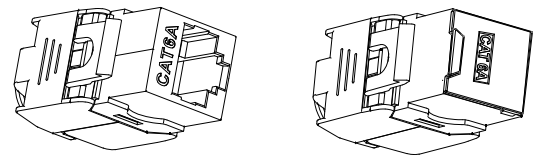
1. Voltage Rating: 125 VAC RMS
2. Current Rating: 1.5 AMP
3. Contact Resistance: 100 MILLIOHMS MAX
4. Insulation Resistance: 1000 MEGOHMS MIN @500 VDC
5. Dielectric Strength: 750 VAC RMS 60 Hz, 1MIN

Enviromental:

1. Storage: -40° to +85°
2. Operation: 0° to 70°

Mechanical:

1. The shell Material: Zinc Alloy
2. Housing Material: ABS
3. Insert Material: Flame Retardancy PBT
4. PBC Material: FR-4 T= 1.6mm
5. Contact Material: Phosphor Bronze Stamp PIN T=0.30mm
6. IDC Contact Material: Phosphor Bronze
T= 0.50mm with Tin Plating
7. RJ45 Jack LIFE: 750 TIMES MIN
8. IDC LIFE: 200 FTIMES MIN
9. Wire: AWG 22-26



Tolerance	
0. 00-20. 00	±0. 10
20. 00-50. 00	±0. 15
50. 00-100. 00	±0. 20
100. 00-	±0. 25
Angle	±30'

Notes

Material	Angles Projection	
ABS	Size	A4
	Scale	X:1
	Unit	mm

